

Rear Brake

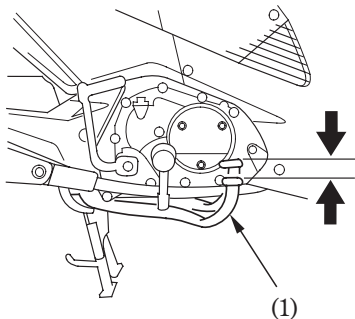
Brake Adjustment:

1. Place the motorcycle on its center stand.
2. Measure the distance the rear brake pedal (1) moves before the brake starts to take hold.

Freeplay should be:

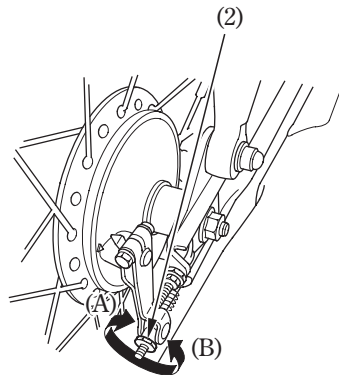
20–30 mm (0.8–1.2 in)

3. If adjustment is necessary, turn the rear brake adjusting nut (2).



(1) Rear brake pedal

22



(2) Rear brake
adjusting nut

(A) Decrease freeplay
(B) Increase freeplay