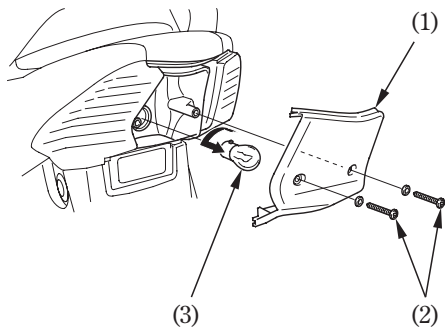


Brake/Tail Light Bulb

1. Remove the taillight lens (1) by removing the screws (2).
2. Slightly press the bulb (3) and turn it counterclockwise.
3. Install a new bulb in the reverse order of removal.



(1) Taillight lens
(2) Screws

(3) Bulb