

Brake Lever/Parking Brake

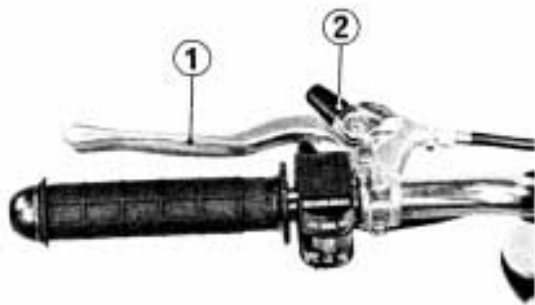
The rear brake lever (1) and the brake pedal both operate the rear wheel brake. Either one can be used to stop the ATC. The front brake lever is at the right handlebar grip. The rear brake lever has the added feature of a lock (2) which allows the lever to be used as a parking brake.

Pull the brake lever back and lock it with the lock. Always apply the parking brake when parking on a hill or when leaving the engine running.

To release the parking brake, squeeze the rear brake lever so the lock automatically retracts.

NOTE:

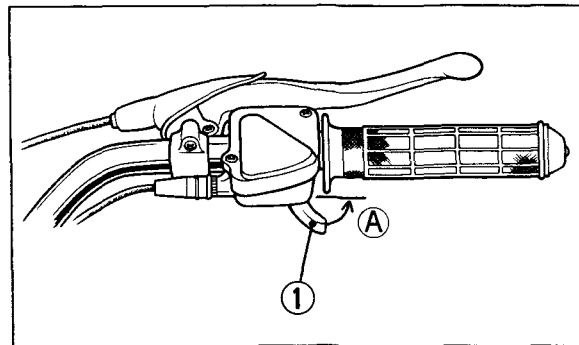
- * Use of the parking brake in freezing weather may cause the brakes to freeze in the locked position.



(1) Rear brake lever/Parking brake (2) Lock

Throttle Lever

The throttle lever (1) is next to the right handlebar grip and is operated by the rider's thumb. Pressing the lever forward opens the throttle. When the lever is released, spring tension closes the throttle automatically.



(1) Throttle lever
(A) Open