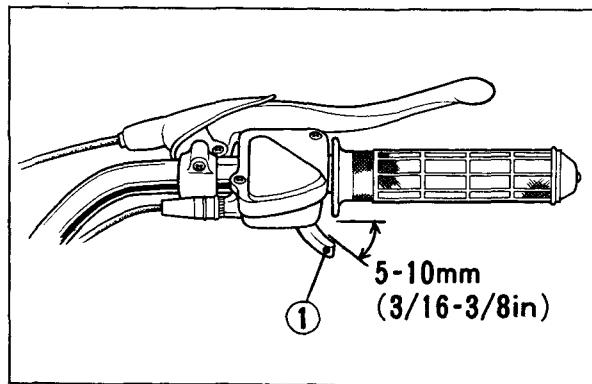


## THROTTLE CABLE

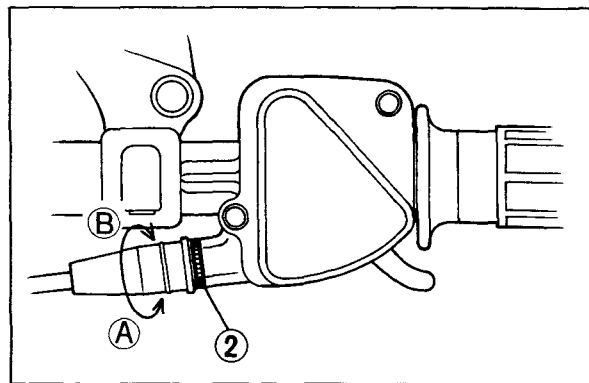
Inspect the throttle cable for condition and operation. Replace the cable if it has become worn or kinked. Lubricate the cable with a commercially available cable lubricant to prevent premature wear and corrosion. Free play, measured at the tip of the throttle lever (1), should be maintained at 5–10 mm (3/16–3/8 in.).

The cable adjuster (2) is located on the side of the throttle lever. Turn the adjuster to obtain the correct free play.

Note the wire band position on the handle bar when installing them.



(1) Throttle lever



(2) Cable adjuster

(A) Increase free play

(B) Decrease free play