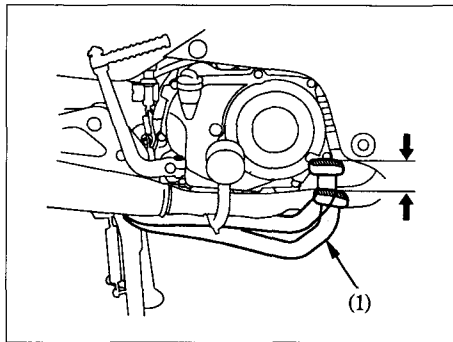


Rear Brake

Adjustment:

1. Place the motorcycle on its center stand.
2. Measure the distance the rear brake pedal (1) moves before the brake starts to take hold.
Free play should be: 20-30 mm (0.8-1.2 in)
3. If adjustment is necessary, turn the rear brake adjusting nut (2).



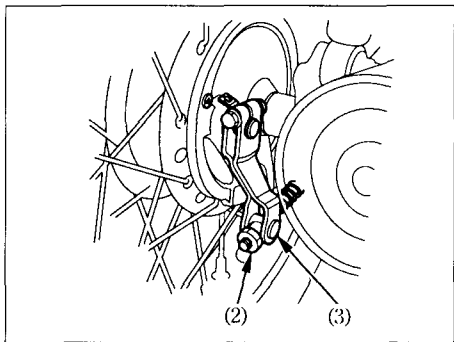
(1) Rear brake pedal

4. Apply brake several times and check for free wheel rotation when released.

NOTE

If proper adjustment cannot be obtained by this method see your Honda dealer.

Make sure the cut-out on the adjusting nut is seated on the brake arm pin (3) after making final free play adjustment.



- (2) Rear brake adjusting nut
(3) Brake arm pin