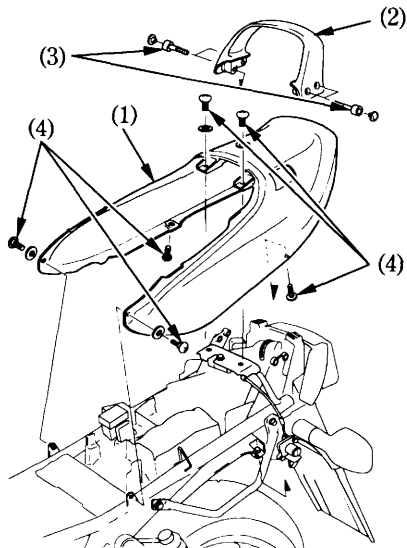


REAR COWL

To remove the rear cowl (1), remove the seat (page 36).

Remove the grab rail (2) by removing the bolts (3).

Remove the screws (4) and remove the rear cowl.



(1) Rear cowl

(2) Grab rail

(3) Bolts

(4) Screws