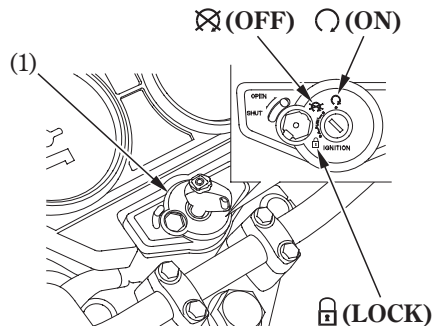







## ESSENTIAL INDIVIDUAL COMPONENTS

### IGNITION SWITCH

The ignition switch (1) is below the indicator panel.



(1) Ignition switch

| Key Position   | Function  | Key Removal           |
|--|---|-----------------------|
| <br>LOCK<br>(Steering lock) | Steering is locked. Engine and lights cannot be operated. | Key can be removed    |
| <br>OFF                     | Engine and lights cannot be operated.                     | Key can be removed    |
| <br>ON                      | Engine and lights can be operated.                        | Key cannot be removed |

