

BRAKE PAD WEAR

Refer to the Safety Precautions on page 97 .

Brake pad wear depends upon the severity of usage, the type of riding, and road conditions. (Generally, the pads will wear faster on wet and dirty roads.)

Inspect the pads at each regular maintenance interval (page 100).

Front Brake

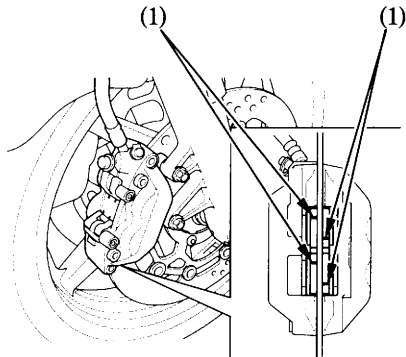
Always inspect each pad in both right and left brake calipers.

Check the grooves (1) in each pad.

If either pad is worn to the bottom of the grooves, replace both pads as a set. See your Honda dealer for this service.

< FRONT BRAKE >

Illustration shows left side, right side similar.



(1) Wear indicator grooves