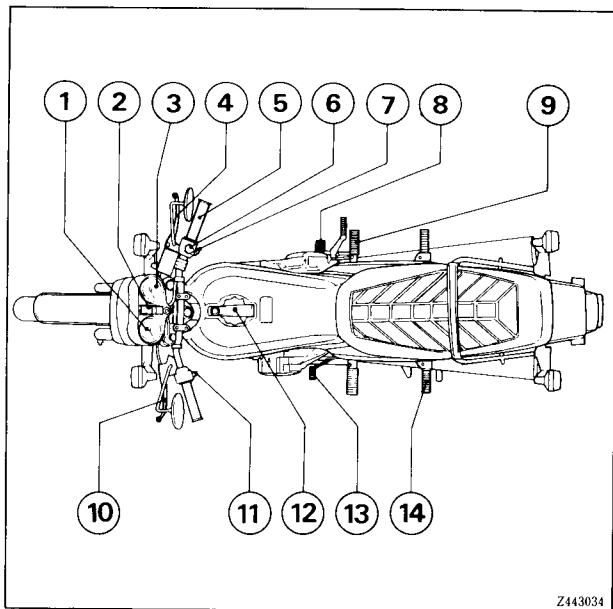


EQUIPMENT AND CONTROLS

Control Location

- (1) Speedometer
- (2) Indicator and warning lamp panel
- (3) Tachometer
- (4) Front brake lever
- (5) Throttle grip
- (6) Engine stop switch
- (7) Headlight switch (above)
Starter button (below)
- (8) Rear brake pedal
- (9) Foot pegs
- (10) Clutch lever
- (11) Headlight dimmer switch (above)
Passing light control switch (middle)
Turn signal switch (middle)
Horn button (below)
- (12) Fuel filler door
- (13) Gear change pedal
- (14) Passenger foot peg



Z443034