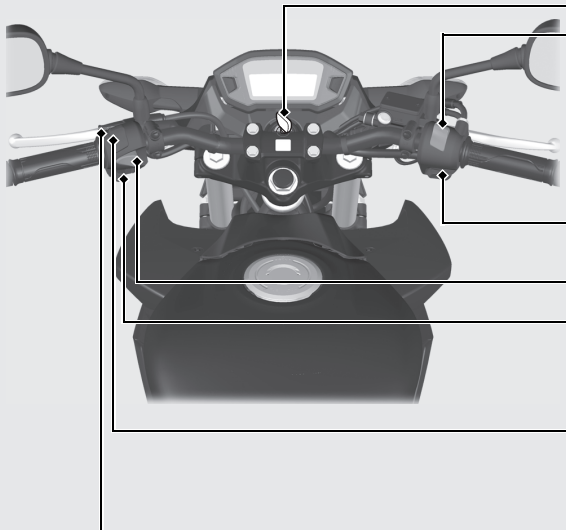




Switches

Operation Guide



Engine stop switch

Should normally remain in the Run  position.

▶ In an emergency, switch to the off  position (the starter motor will not operate) to stop the engine.



Start button

Horn button

Turn signal switch

▶ Pressing the switch turns the turn signal off.

Headlight dimmer switch

- : High beam
- : Low beam

Passing light control switch

Flashes the high beam headlight.