

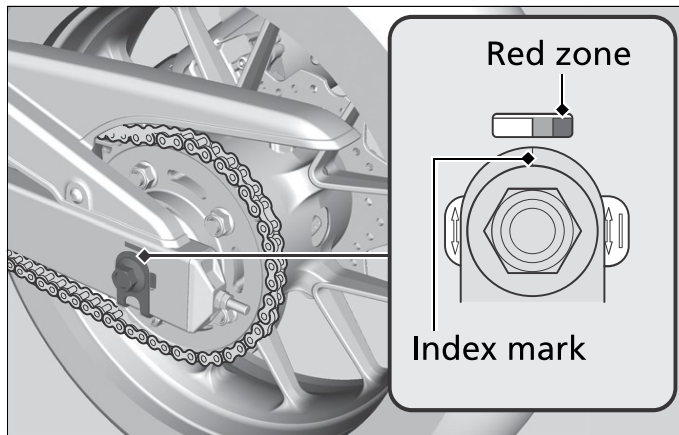
Drive Chain ▶ Checking the Drive Chain Slider

Checking the Drive Chain Wear

Check the chain wear label when adjusting the drive chain. If the index mark on the washer enters the red zone on the label after the chain has been adjusted to the proper slack, the chain is excessively worn and must be replaced.

Chain: DID 520V0

If necessary have the drive chain replaced by your dealer.



Checking the Drive Chain Slider

Check the condition of the drive chain slider. The drive chain slider need to be replaced if it is worn to the wear limit line. If necessary have the drive chain slider replaced by your dealer.

