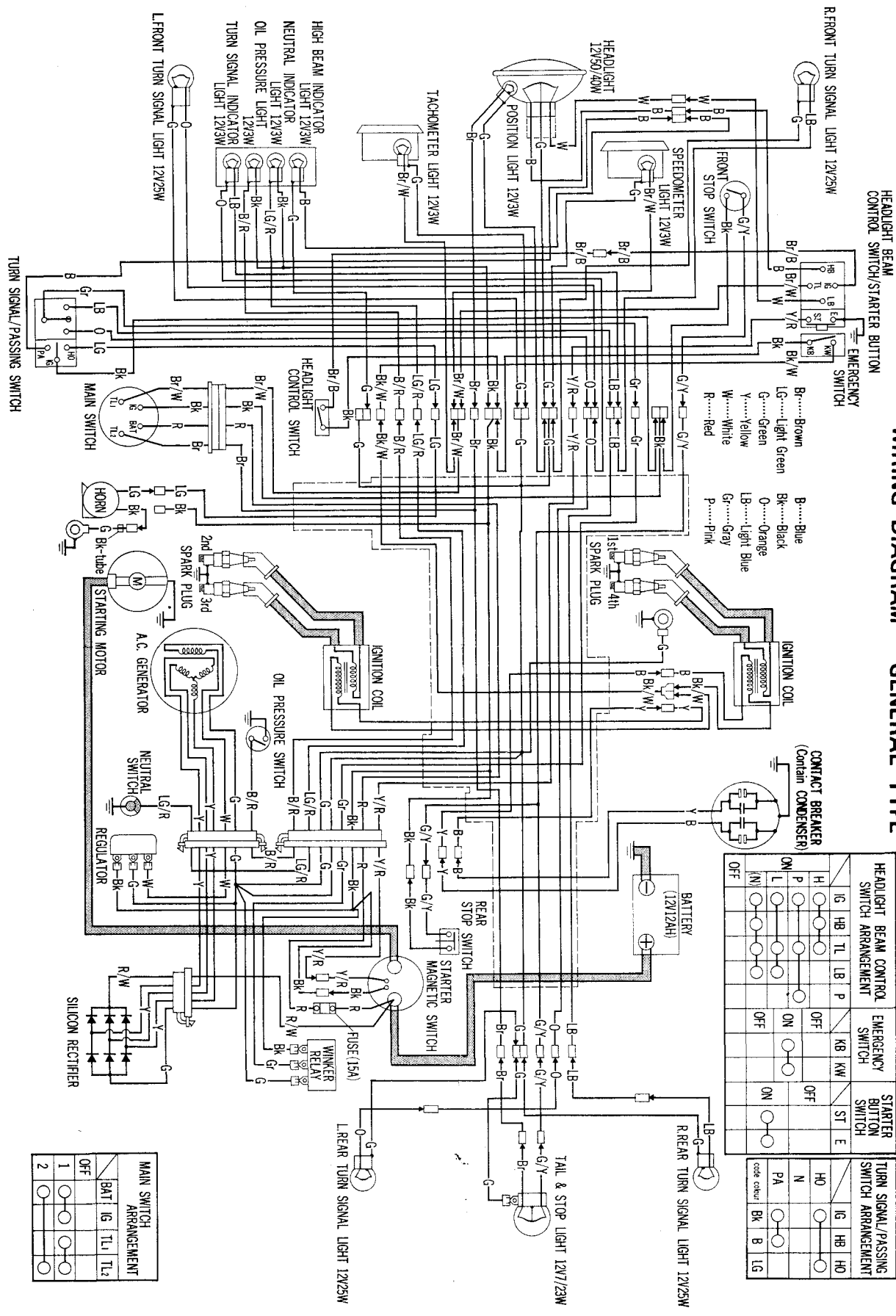


WIRING DIAGRAM GENERAL TYPE



HEADLIGHT BEAM CONTROL SWITCH ARRANGEMENT	EMERGENCY SWITCH	STARTER BUTTON SWITCH	TURN SIGNAL/PASSING SWITCH ARRANGEMENT
IC HB TL LB P	KB KW	ST E	IC HB HO
ON	OFF	OFF	IG HB HO
H	ON	ON	N
P	OFF	OFF	PA
L	ON	ON	code colour
(N)	OFF	ON	BK B LG
OFF			

MAIN SWITCH ARRANGEMENT			
BAT	IG	TL1	TL2
OFF	○	○	○
1	○	○	○
2	○	○	○