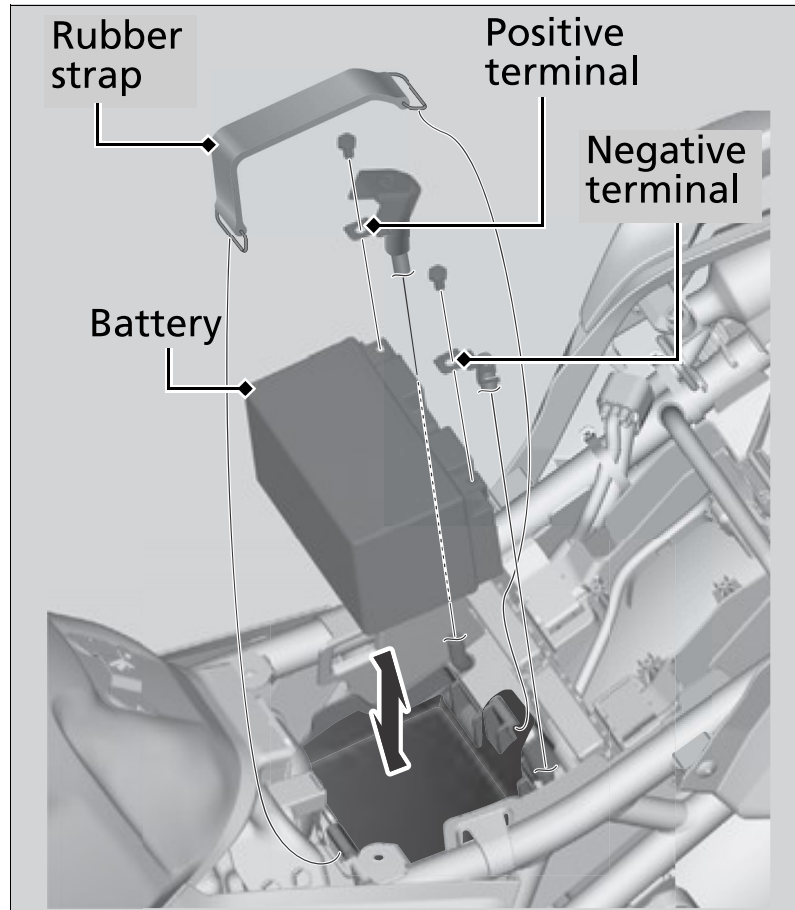


Battery



Removal

Make sure the ignition switch is off.

1. Remove the seat. ➔ P. 56
2. Unhook the rubber strap from rear side.
3. Disconnect the negative \ominus terminal from the battery.
4. Disconnect the positive \oplus terminal from the battery.
5. Remove the battery taking care not to drop the terminal nuts.

Installation

Install the parts in the reverse order of removal. Always connect the positive \oplus terminal first. Make sure that bolts and nuts are tight.

Readjust the clock after the battery is reconnected since the clock goes wrong once the battery disconnected.

The tripmeter A and B will be reset if the battery is disconnected.

For proper handling of the battery, see "Maintenance Fundamentals." ➔ P. 46

"Battery Goes Dead." ➔ P. 95