

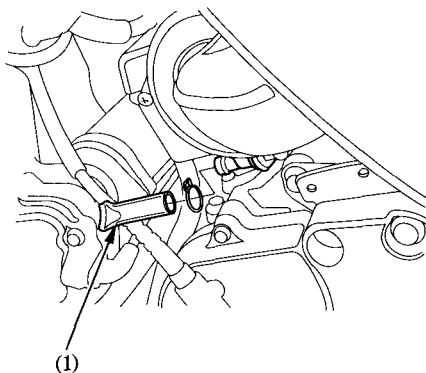
CRANKCASE BREATHER

(Refer to the maintenance precautions on page 62).

1. Remove the drain tube (1) drain deposits into a suitable container.
2. Reinstall the drain tube.

NOTE:

- * Service more frequently when riding in rain, at full throttle, or after the motorcycle is washed or overturned. Service if the deposit level can be seen in the transparent section of the drain tube.



(1) Drain tube