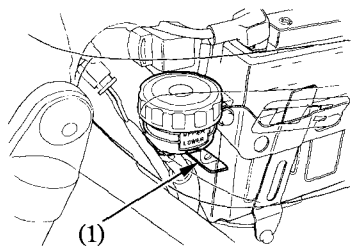


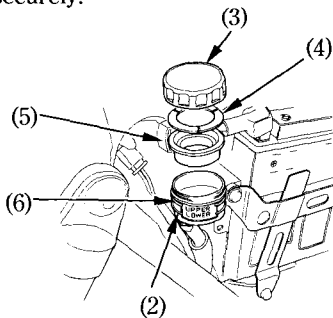
Check the brake fluid level from the inspection window (1) of the right side cover with the motorcycle in an upright position.



(1) Inspection window

Brake fluid must be added to the reservoir whenever the fluid level begins to reach the LOWER level mark (2). Remove the right side cover (page 33). Remove the reservoir cap (3), diaphragm plate (4), and diaphragm (5). Fill the reservoir with DOT

4 BRAKE FLUID from a sealed container up to the UPPER level mark (6). Reinstall the diaphragm, diaphragm plate and cap securely.



(2) LOWER level mark (5) Diaphragm
(3) Reservoir cap (6) UPPER level mark
(4) Diaphragm plate