

MAJOR COMPONENTS

(Information you need to operate this motorcycle)

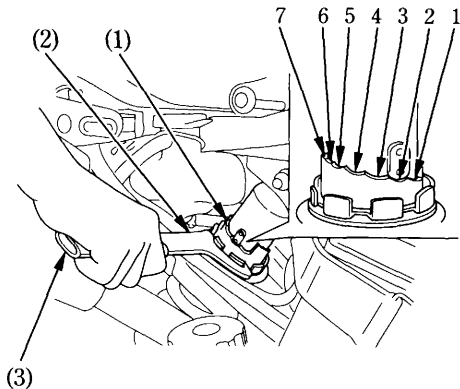
SUSPENSION

Spring Preload:

The spring preload adjuster (1) has 7 spring preload positions for different load or riding conditions.

Use the pin spanner (2) and extension bar (3) to adjust the rear shock.

Position 1 is for a light load and smooth road conditions. Position 2 is the standard position. Positions 3 to 7 increase spring preload for a stiffer rear suspension and can be used when the motorcycle is more heavily loaded.



- (1) Spring adjuster
- (2) Pin spanner
- (3) Extension bar