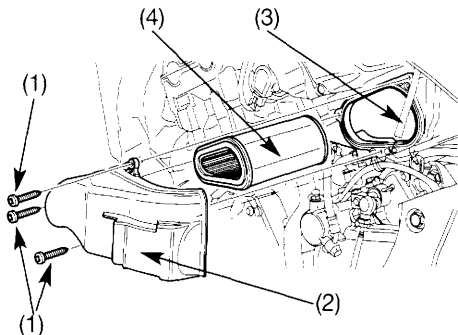


## AIR CLEANER

Refer to the Safety Precautions on page 73. The air cleaner should be serviced at regular intervals (page 75). Service more frequently when riding in unusually wet or dusty areas.

1. Remove the left side cover (page 53).



- (1) Fixing screws      (3) Small hose  
(2) Air cleaner cover      (4) Air cleaner

2. Remove the screws (1) and the air cleaner cover (2). Undo the small hose (3) connected to the shut-off valve behind the filter box.
3. Pull out the air cleaner (4) and clean the air cleaner using compressed air from the inside, or replace it if necessary.
4. Install a new air cleaner.

Use the Honda genuine air cleaner or an equivalent air cleaner specified for your model.

Using the wrong Honda air cleaner or a non-Honda air cleaner which is not of equivalent quality may cause premature engine wear or performance problems.

5. Install the removed parts in reverse order of removal.