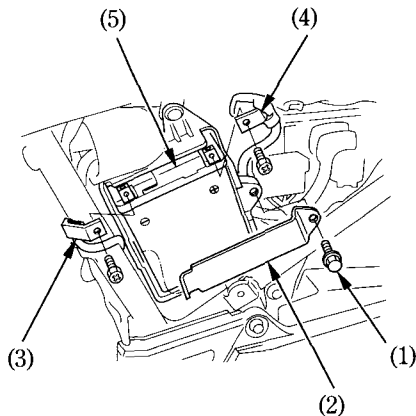


Removal:

1. Make sure the ignition switch is OFF.
2. Remove the seat (page 42).
3. Remove the left side cover (page 44).
4. Remove the bolt (1) and battery holder (2).
5. Disconnect the negative (*) terminal lead (3) from the battery first, then disconnect the positive (+) terminal lead (4).
6. Pull out the battery (5) from the battery box.

Installation:

1. Reinstall in the reverse order of removal. Be sure to connect the positive (+) terminal first, then the negative (*) terminal.
2. Check all bolts and other fasteners are secure.



- (1) Bolt
- (2) Battery holder
- (3) Negative (*) terminal lead
- (4) Positive (+) terminal lead
- (5) Battery