

Fuse Box:

The fuse box (1) is located behind the left side cover.

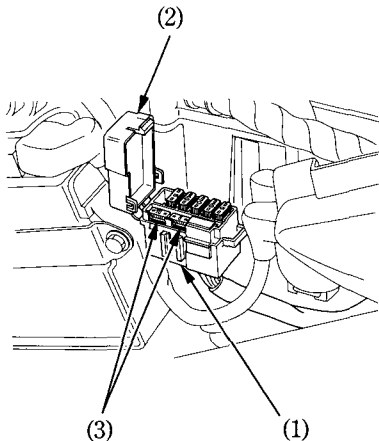
The specified fuses are:

5A, 10A

1. Remove the seat (page 42).
2. Remove the left side cover (page 44).
3. Open the fuse box cover (2).
4. Pull out the fuse. If the fuse is blown, install a new fuse.

The spare fuses (3) are located in the fuse box.

5. Close the fuse box cover and install the left side cover.
6. Install the seat.



- (1) Fuse box
(2) Fuse box cover
(3) Spare fuses