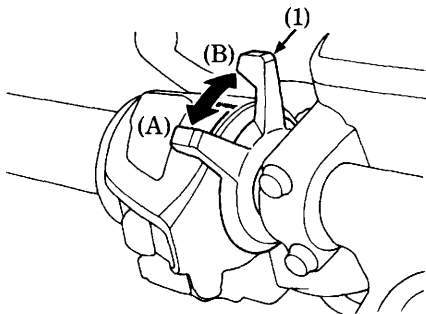


Starting Procedure

1. Pull the choke lever (1) back all the way to Fully ON (A), if the engine is cold.
2. Press the starter button, leaving the throttle closed.

NOTE:

- * If the engine fails to start within 5 seconds, release the starter button, wait 10 seconds, then try again.



(1) Chock lever

3. Warm up the engine by opening and closing the throttle until it runs smoothly, with the choke lever Fully OFF.

CAUTION:

- * **The red low oil pressure indicator should go off a few seconds after the engine starts. If the light stays on, stop the engine immediately and check engine oil level. Operating the engine with insufficient oil pressure can cause serious engine damage.**