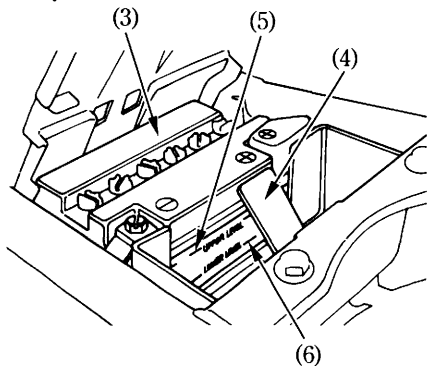


Remove the tool kit and pull back the separator (4).

Check the electrolyte level with the motorcycle on its center stand on level ground. The electrolyte level must be maintained between the UPPER (5) and LOWER (6) level marks on the side of the battery.



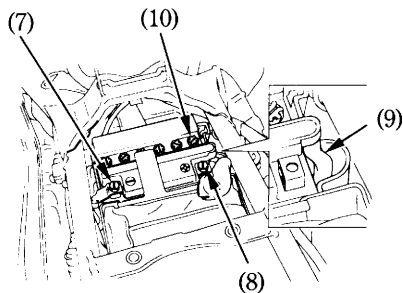
- (3) Battery
- (4) Separator

- (5) UPPER level
- (6) LOWER level

If the electrolyte level is low, disconnect the negative (-) terminal lead (7) from the battery first, then disconnect the positive (+) terminal lead (8).

Disconnect the battery breather tube (9). Pull out the battery. Remove the battery filler caps (10).

Carefully add distilled water to the UPPER level mark, using a small syringe or plastic funnel.



- (7) Negative terminal lead
- (8) Positive terminal lead
- (9) Breather tube
- (10) Filler caps