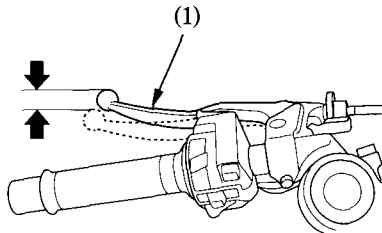


## CLUTCH

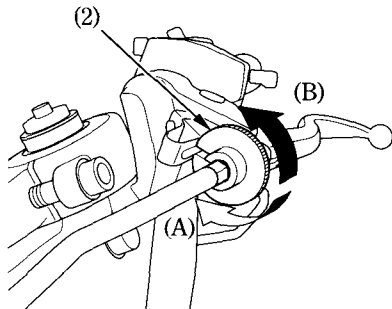
Clutch adjustment may be required if the motorcycle stalls when shifting into gear or tends to creep; or if the clutch slips, causing acceleration to lag behind engine speed. Minor adjustments can be made with the clutch cable adjuster (2) at the clutch lever (1).

Normal clutch lever freeplay is:  
10–20 mm (0.4–0.8 in)



(1) Clutch lever

1. Turn the adjuster and check the adjustment.
2. If the adjuster is threaded out near its limit or if the correct freeplay cannot be obtained, turn in the cable adjuster completely.



(2) Clutch cable adjuster (A) Increase freeplay  
(B) Decrease freeplay