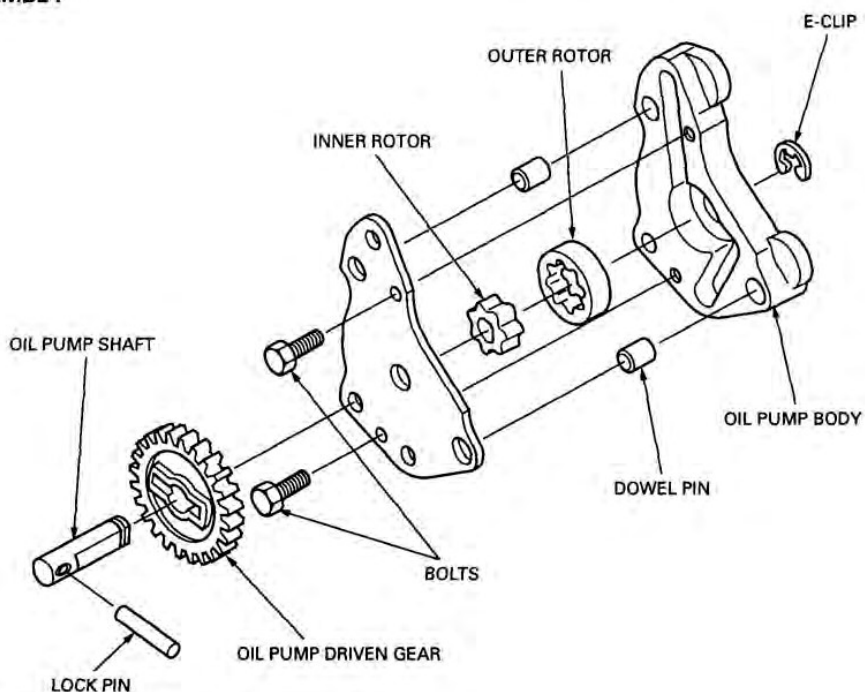


ASSEMBLY



Install the oil pump shaft lock pin into the oil pump shaft.
Install the oil pump shaft into the oil pump driven gear.



Install the outer rotor and inner rotor.
Fill the oil pump with engine oil.

