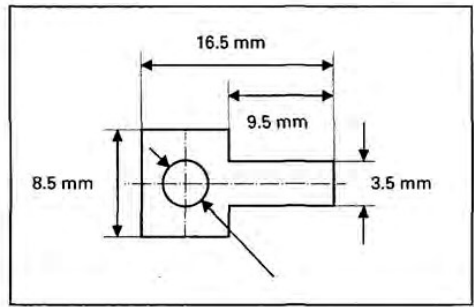


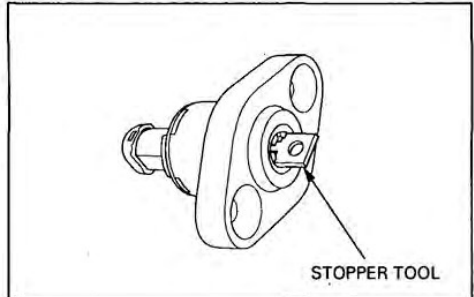
CYLINDER HEAD/VALVES

Make a tensioner shaft stopper tool out of a thin piece of steel (0.8 mm thick) using the diagram.



INSTALLATION

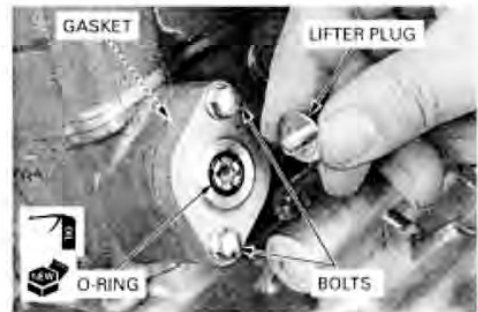
Turn the tensioner shaft clockwise with the stopper tool to retract the tensioner, then insert the stopper fully to hold the tensioner in the fully retracted position.



Install a new gasket on the cam chain tensioner lifter. Install the tensioner lifter into the cylinder and tighten the mounting bolts.

Remove the stopper tool from the tensioner lifter. Apply oil to the new O-ring. Install the lifter plug with a new O-ring and tighten it.

TORQUE: 4.2 N·m (0.43 kgf·m, 3.1 lbf·ft)



CYLINDER HEAD DISASSEMBLY

Loosen the band screw and remove the carburetor insulator. Disconnect the vacuum tubes.

