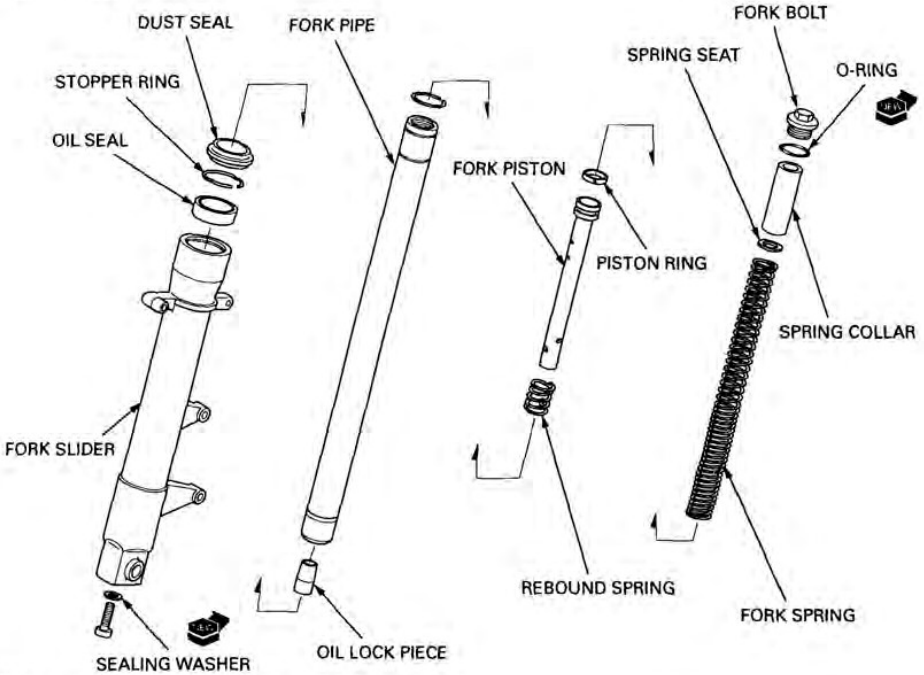
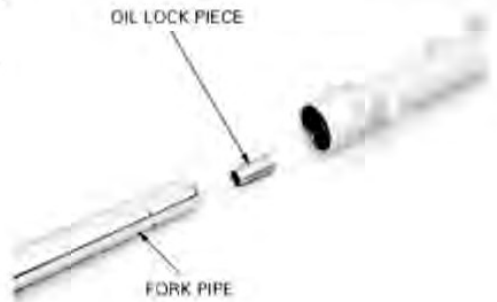


ASSEMBLY



Before assembly, wash all parts with a high flash point or non-flammable solvent and wipe them off completely.

Install the oil lock piece and fork tube into the fork slider.



Install the fork piston and rebound spring into the fork pipe.

