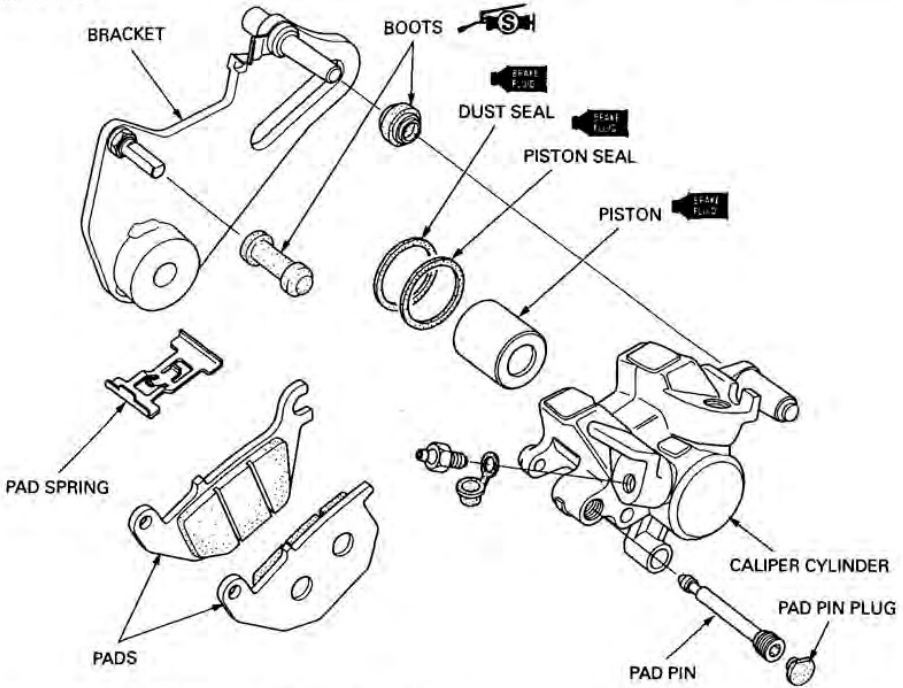


ASSEMBLY



Coat the new piston seal and dust seal with clean brake fluid and install them in the seal grooves of the caliper.

Apply brake fluid to the caliper piston and install it into the caliper cylinder with the opening towards the pads.



If the caliper and bracket pin boots are hard or deteriorated, replace them with new ones.

Apply silicone grease to the bracket pin boots and bracket pins and install them. Make sure the boots are securely seated into the pin grooves.

Assemble the caliper bracket and caliper body.

