

BULB REPLACEMENT

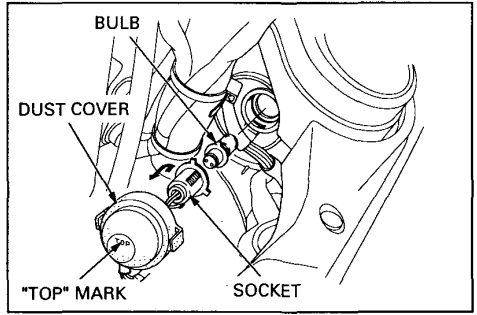
HEADLIGHT

Remove the dust cover.
While pushing in, turn the bulb socket counterclockwise to remove it.
Remove the headlight bulb and replace it with a new one.

Install the headlight bulb in the reverse order of removal.

NOTE:

Install the dust cover tightly against the headlight housing with the "TOP" mark facing up.

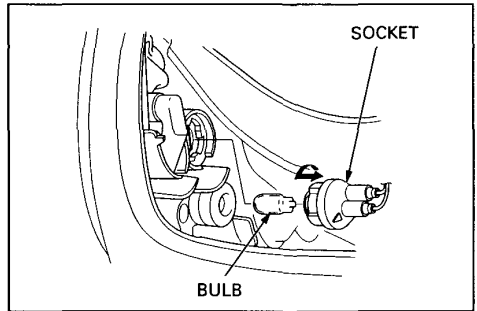


FRONT TURN SIGNAL LIGHT

Remove the screws and upper cowl lid (page 2-5).

Turn the bulb socket counterclockwise and remove it.
Remove the bulb and replace it with a new one.

Installation is in the reverse order of removal.



REAR TURN SIGNAL AND TAIL/BRAKE LIGHT AND LICENSE LIGHT

Remove the passenger seat (page 2-2).

Disconnect the rear combination light 6P connector.

Remove the screw and rear combination meter.

