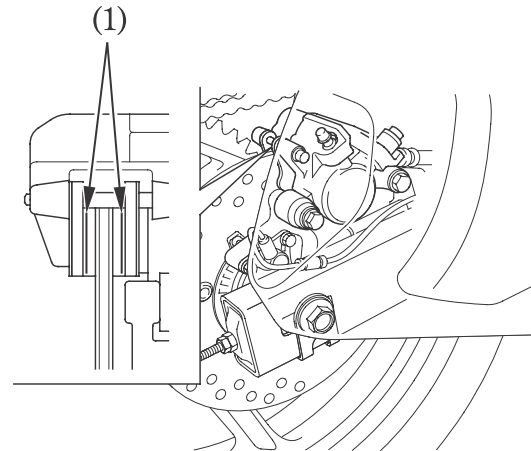


Rear Brake

Check the wear indicator grooves (1) in each pad.

If either pad is worn to the bottom of the grooves, replace both pads as a set. See your dealer for this service.

〈 REAR BRAKE 〉



(1) Wear indicator grooves