

Installation Note:

- To install the rear wheel, reverse the removal procedure.
- Make sure that the slot (5) on the brake caliper is located in the lug (6) in the swingarm (7).
- Tighten the axle nut to:
93 N·m (9.5 kgf·m , 69 lbf·ft)
- Adjust the drive chain

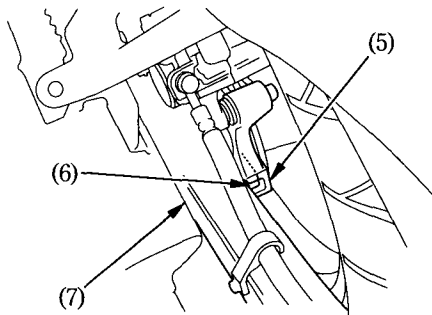
CAUTION:

- * **When installing the wheel, carefully fit the brake disc between the brake pads to avoid damaging the pads.**

After installing the wheel, apply the brake several times and then check if the wheel rotates freely. Recheck the wheel if the brake drags or if the wheel does not rotate freely.

▲WARNING

- * **If a torque wrench was not used for installation, see your Honda dealer as soon as possible to verify proper assembly. Improper assembly may lead to loss of braking capacity.**



(5) Slot
(6) Lug

(7) Swing arm