

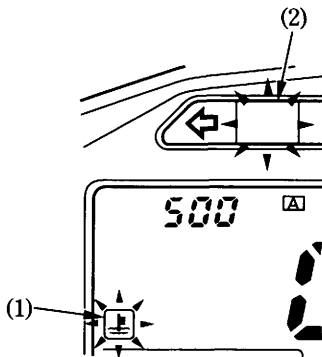
## Coolant Temperature Indicator and Malfunction Indicator

The coolant temperature indicator (1) and the red malfunction indicator (2) lights when the coolant is over the specified temperature.

If the indicators light while riding, stop the engine and check the reserve tank coolant level. Read pages 40 – 41 and do not ride the motorcycle until the problem has been corrected.

### NOTICE

Exceeding maximum running temperature may cause serious engine damage.



- (1) Coolant temperature indicator
- (2) Malfunction indicator