

LOWER COWL

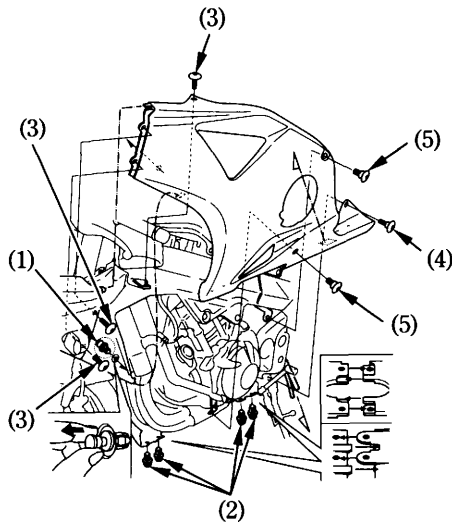
The right and left lower cowls can be removed in the same manner.

Removal:

1. Remove the inner panel (page 67).
2. Remove the clip A (1) and clips B (2).
3. Remove the bolts A (3), bolts B (4) and bolts C (5).

Installation:

- Installation can be done in the reverse order of removal.



- (1) Clip A
(2) Clips B

- (3) Bolts A
(4) Bolts B
(5) Bolts C