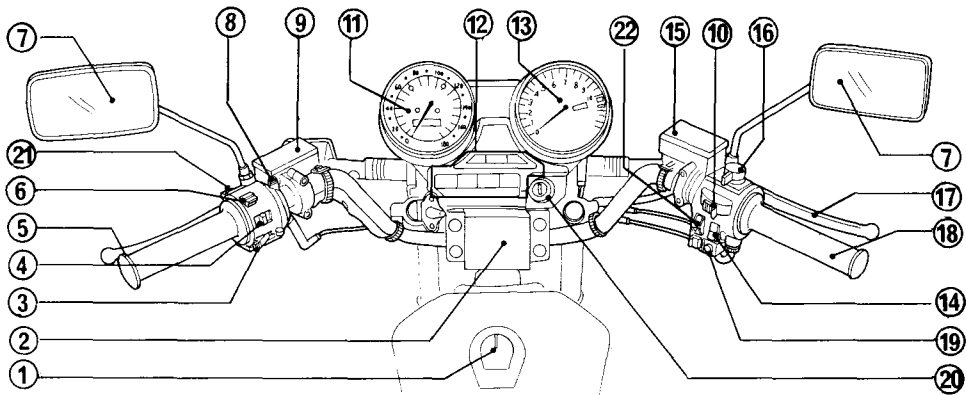


EQUIPMENT AND CONTROLS

Control Location



(1) Fuel tank cap

(2) Fuse box

(3) Horn button

(4) Turn signal switch

(5) Clutch lever

(6) Headlight dimmer switch

(7) Rear view mirrors

(8) Choke lever

(9) Clutch fluid reservoir

(10) Patrol switch

(11) Speedometer

(12) Warning and indicator lights

(13) Tachometer

(14) Microphone switch

(15) Brake fluid reservoir

(16) Engine stop switch

(17) Brake lever

(18) Throttle grip

(19) Starter button

(20) Ignition switch

(21) Passing switch

(22) Headlight switch