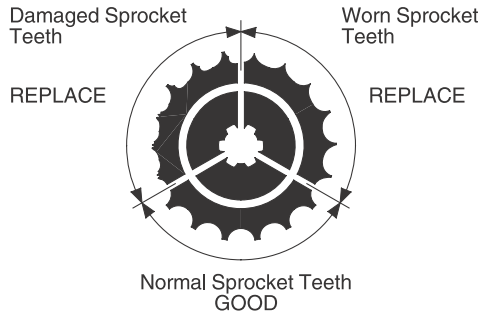




Drive Chain

- Inspect the front and rear sprocket teeth for excessive wear or damage. If necessary, have your dealer replace a worn sprocket.

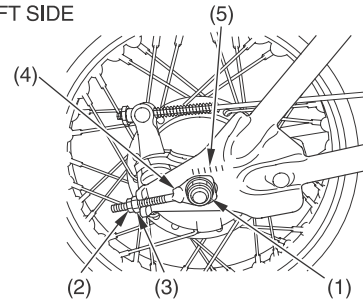


NOTICE

Use of a new chain with worn sprockets will cause rapid chain wear.

Adjustment

LEFT SIDE



- (1) rear axle nut
- (2) lock nut
- (3) adjusting nut
- (4) chain adjuster
- (5) graduated scale

- Loosen the rear axle nut (1).
- Loosen the lock nuts (2) on both sides of the swingarm.

(cont'd)

