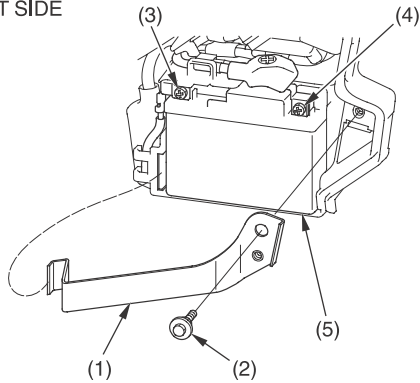




## Battery

The battery is located in the battery compartment behind the left side cover.

LEFT SIDE



- (1) battery holder
- (2) bolt
- (3) negative (−) terminal lead
- (4) positive (+) terminal lead
- (5) battery

### Removal

1. Make sure the ignition switch is OFF.
2. Remove the left side cover (page 56).
3. Remove the battery holder (1) by removing the bolt (2).
4. Disconnect the negative (−) terminal lead (3) from the battery first, then disconnect the positive (+) terminal lead (4).
5. Pull the battery (5) out of the battery compartment.

(cont'd)

