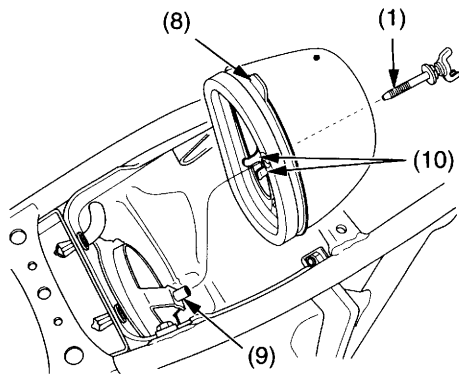


# Air Cleaner

9. Install the air cleaner assembly into the air cleaner housing.

- Install the air cleaner assembly with the air cleaner element tab (8) facing up.
- Position the air cleaner element stay boss (9) between the air cleaner holder tabs (10).

10. Install and tighten the air cleaner retaining bolt (1).



- (1) air cleaner retaining bolt
- (8) air cleaner element tab
- (9) air cleaner element stay boss
- (10) air cleaner holder tabs

## NOTICE

*Improper installation of the air cleaner assembly may allow dirt and dust to enter the engine and cause rapid wear of the piston rings and cylinder.*

11. Install the seat (page 29).