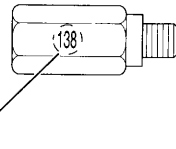
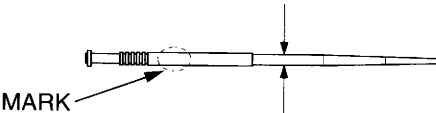





Optional Parts List (CM Type)




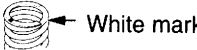
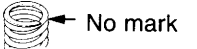
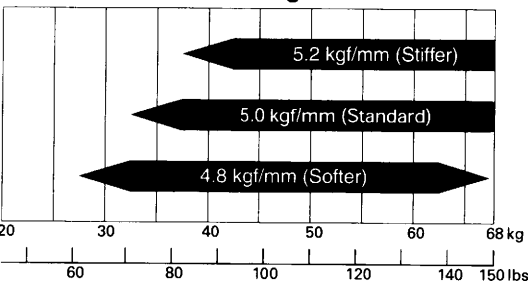
These parts and tools may be ordered from your authorized Honda dealer.

CARBURETOR	Remarks	
Main jet (Standard: #138)	#128 – #148 (in increments of 2 or 3) (9 sizes)	
		
Slow jet (Standard: #38)	#35 – 42 (in increments of 2 or 3)	
Jet Needle Standard needle: NMQS Straight diameter: $\phi 2.765$ mm		
characteristics at 1/16 to 1/4 throttle	Jet needle number (standard series)	Jet needle number (1/2 clip position leaner than standard at 1/8 to 3/4 throttle)
Rich   Lean	NMQQ $\phi 2.745$ mm	NMRQ $\phi 2.745$ mm
	NMQR $\phi 2.755$ mm	NMRR $\phi 2.755$ mm
	(standard needle) NMQS $\phi 2.765$ mm	NMRS $\phi 2.765$ mm
	NMQT $\phi 2.775$ mm	NMRT $\phi 2.775$ mm
	NMQU $\phi 2.785$ mm	NMRU $\phi 2.785$ mm

CARBURETOR	Remarks
Accelerator pump diaphragm	#25 (standard) #20
Fuel flow amount	Leak jet number
	#58 (standard)
	#52
	#48

FRAME	Remarks
Driven sprocket	CRF150R < >: Drive chain links 49T, Aluminum <120> 50T, steel <120> (standard) 50T, Aluminum <120> 51T, Aluminum <120>
	CRF150RB < >: Drive chain links 55T, Aluminum <126> 56T, steel <126> (standard) 56T, Aluminum <126> 57T, Aluminum <126>
Drive chain	Standard DID420DS3: 120 Links (CRF150R) 126 Links (CRF150RB)
	Optional DID420DS3: 130 Links

TOOLS	Remarks
Workstand	For maintenance
Pin spanner A	To adjust spring pre-load
Pin spanner B	To torque the shock spring lock nut

FRAME	Remarks
Shock springs	CRF150R Softer  Standard  Stiffer
	4.8 kgf/mm (268.8 lbf/in)  Red mark 5.0 kgf/mm (280.0 lbf/in)  White mark 5.2 kgf/mm (291.2 lbf/in)  No mark
Rider Weight  <p>The maximum load capacity is 68 kg (150 lbs). Rider weight must not exceed this limit.</p>	