

## FEATURES

(Not required for operation)

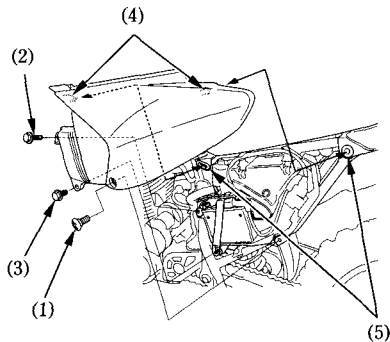
### LEFT SIDE COVER

#### Removal:

1. Remove the screw (1), bolt A (2) and bolt B (3).
2. Pull both side cover prongs (4) out of the rubber grommets (5).

#### Installation:

1. Slide the top of the side cover under the bottom edge of the seat.
2. Align the side cover prongs with the rubber grommets. Press the side cover into position.
3. Install the securing screw and bolts and tighten them.



- (1) Screw
- (2) Bolt A
- (3) Bolt B
- (4) Prongs
- (5) Rubber grommets