

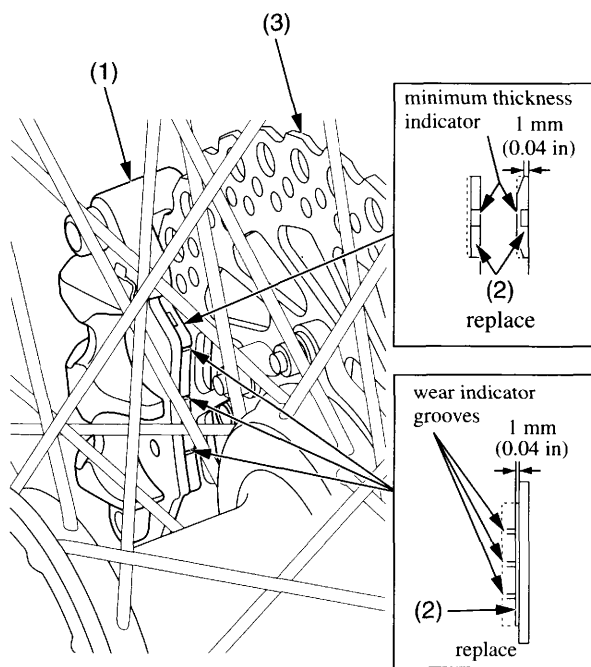
Brakes

Brake Pad Wear

Brake pad wear depends on the severity of usage and track conditions. (Generally, the pads will wear faster on wet and dirty tracks) Inspect the pads at each regular maintenance interval (page 21).

Front Brake Pads

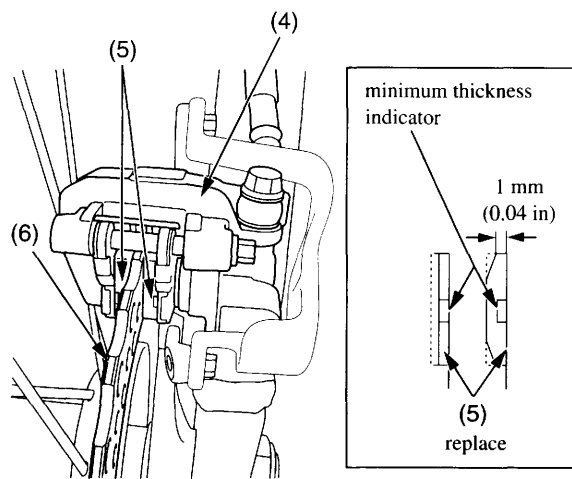
Inspect the brake pads (2) through the front wheel to determine the pad wear. If either pad is worn anywhere to a thickness of 1 mm (0.04 in), both pads must be replaced.



(1) front brake caliper
(2) brake pads
(3) brake disc

Rear Brake Pads

Inspect the brake pads (5) from the rear side of the caliper to determine the pad wear. If either pad is worn anywhere to a thickness of 1 mm (0.04 in), both pads must be replaced.



(4) rear brake caliper
(5) brake pads
(6) brake disc

Other Inspections

Check that the brake lever and pedal assemblies are positioned properly and the securing bolts are tight.

Make sure there are no fluid leaks. Check for deterioration or cracks in the hoses and fittings.