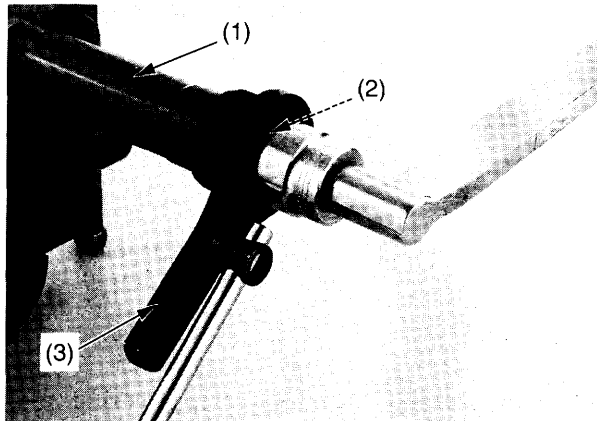


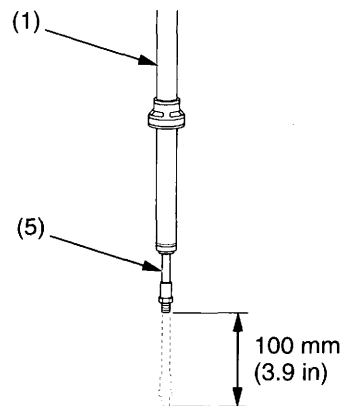
Front Suspension Adjustments

10. Tighten the fork cap assembly (2) while holding the fork damper (1) using the lock nut wrench (3) to the specified torque:
30 N·m (3.1 kgf·m, 22 lbf·ft)



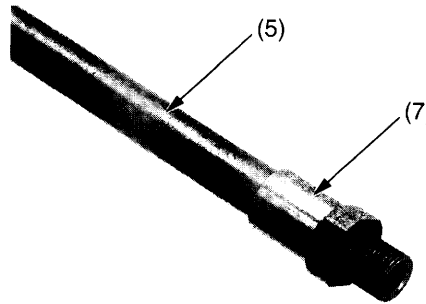
(1) fork damper
(2) fork cap assembly
(3) lock nut wrench

11. Hold the fork damper (1) in an upright position and pump the fork damper piston rod (5) to 100 mm (3.9 in) slowly several times.



(1) fork damper
(5) fork damper piston rod

12. Screw in the lock nut (7) to the fork damper piston rod (5) fully.



(5) fork damper piston rod
(7) lock nut

Turn the rebound adjuster and compression adjuster counterclockwise to the softest position. Check the fork damper piston rod sliding surface for damage.

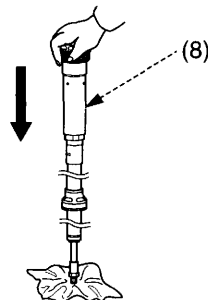
Apply fork oil to the fork damper piston rod sliding surface

Cover the fork damper piston rod end with soft jaws to prevent fork damage.

NOTICE

Be careful not to bend or damage the fork damper piston rod when the piston rod is stroked.

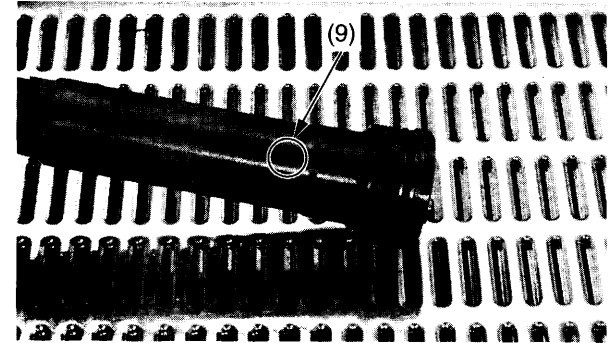
13. Blow the extra oil off to the fork damper spring chamber (8) by pumping the fork damper piston rod to full stroke.



(8) fork damper spring chamber

14. Drain the extra oil from the oil hole (9).

By doing this procedure, about 17 cm³ (0.6 US oz, 0.6 Imp oz) of fork fluid will be drained from the damper spring chamber through the oil hole and cause 170 cm³ (5.7 US oz, 6.0 Imp oz) of fork fluid to be left in the fork damper spring chamber.



(9) oil hole

15. Blow out the oil from the fork damper spring chamber using compressed air to the oil hole. Wipe the oil completely off the fork damper.