

Rear Suspension Adjustments

The rear suspension can be adjusted for the rider's weight and riding conditions by changing the spring pre-load and the rebound and compression damping.

The rear shock absorber assembly includes a damper unit that contains high pressure nitrogen gas. Do not attempt to disassemble, service, or dispose of the damper; see your Honda dealer. The instructions found in this owner's manual are limited to adjustments of the shock assembly only.

Puncture or exposure to flame may also result in an explosion, causing serious injury. Service or disposal should only be done by your Honda dealer or a qualified mechanic, equipped with the proper tools, safety equipment and the Honda Shop Manual.

If your CRF is new, put enough part-throttle break-in time (about one hour) on it to ensure that the suspension has worked in.

Rear Suspension Spring Pre-Load

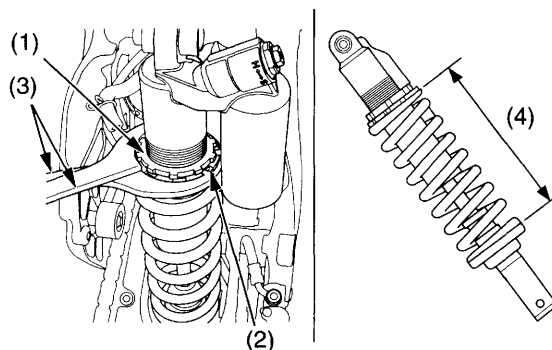
Pre-load should be adjusted when the engine is cold because it is necessary to remove the muffler (page 87).

An optional pin spanner is available for turning the lock nut and adjusting nut to adjust spring pre-load.

1. Place a workstand under the engine to raise the rear wheel off the ground.
2. Loosen the connecting tube clamp screw and remove the subframe's three mounting bolts, then remove the subframe. See page 32.

3. Check that the spring pre-load is adjusted to the standard length. Adjust as necessary by loosening the lock nut (1) and turning the adjusting nut (2).

Each complete turn of the adjusting nut changes the spring length by 1.5 mm (0.06 in).



- (1) lock nut (3) pin spanners
(2) adjusting nut (4) spring length

To increase spring pre-load:

Loosen the lock nut with the optional pin spanners (3) and turn the adjusting nut to shorten the spring length (4). Do not shorten to less than:

251 mm (9.9 in)

To decrease spring pre-load:

Loosen the lock nut with the optional pin spanners (3) and turn the adjusting nut to increase the spring length (4). Do not increase to more than:

ED, U, CM, IICM type:
260.6 mm (10.26 in)

DE type:
258.7 mm (10.19 in)

Each turn of the adjuster changes spring length and spring pre-load. One turn equals: spring length/spring pre-load:

1.5 mm (0.06 in)/7.95 kg (17.53 lbs)

Pin spanners should be used for turning the lock nut and adjusting nut. See pages 155, 156 for optional pin spanners.

Spring pre-load length (Standard spring)

Standard: **ED, U, CM, IICM type:**
259.6 mm (10.22 in)

DE type:

257.7 mm (10.15 in)

Min. : 251 mm (9.9 in)

Spring pre-load length (Optional spring)

Min. (Softer, 5.1 kgf/mm (285.6 lbf/in)):
252 mm (9.9 in)

Min. (Stiffer, 5.5 kgf/mm (308.0 lbf/in)):
249 mm (9.8 in)

Except IICM type:

Min. (Stiffer, 5.7 kgf/mm (319.2 lbf/in)):
251 mm (9.9 in)