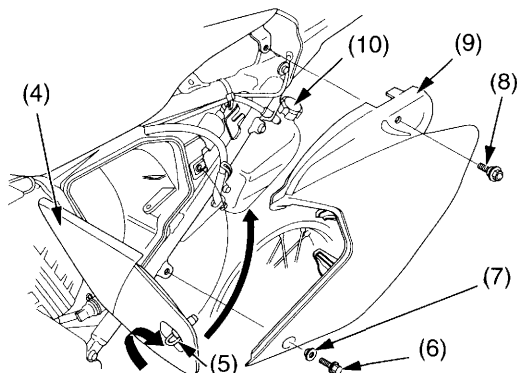


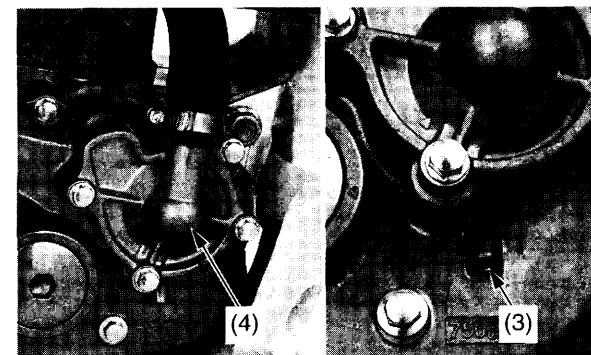
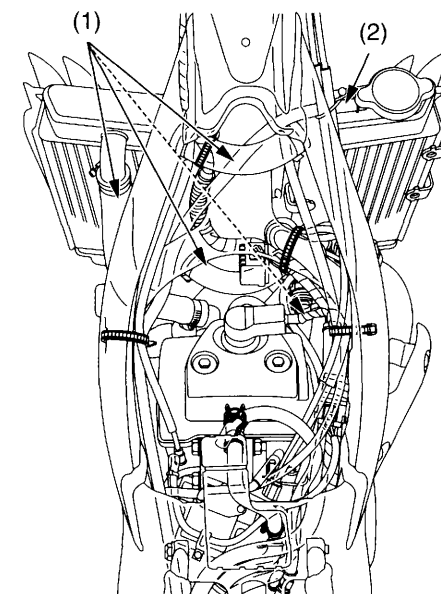
4. Add coolant to the reserve tank as require to bring the coolant level to the UPPER level mark.
5. Install the reserve tank cap (10).
6. Install the left side cover (9), collar (7), seat mounting bolt (8) and left side cover bolt (6). Close the air cleaner housing cover (4) and turn the quick fastener (5) clockwise. Tighten the seat mounting bolt to the specified torque:  
19 lbf·ft (26 N·m, 2.7 kgf·m)



- (4) air cleaner housing cover
- (5) quick fastener
- (6) left side cover bolt
- (7) collar
- (8) seat mounting bolt
- (9) left side cover
- (10) reserve tank cap

## Cooling System Inspection

1. Check the cooling system for leaks (see the Honda Service Manual for troubleshooting of leaks).
2. Check the water hoses (1) for cracks, deterioration, and radiator hose clamp for looseness.
3. Check the radiator mount for looseness.
4. Make sure the siphon hose (2) is connected and not clogged.
5. Check the radiator fins for clogging.
6. Check the water leakage check hole (3) below the water pump cover (4) for leakage. Make sure the hole remains open. If water leaks through the check hole, the water seal is damaged. If oil leaks through the check hole, the engine oil seal is damaged. See the Honda Service Manual or consult your Honda dealer for replacing the water seal or the engine oil seal. Both seals should be replaced at the same time.



- (1) water hoses
- (2) siphon hose
- (3) water leakage check hole
- (4) water pump cover