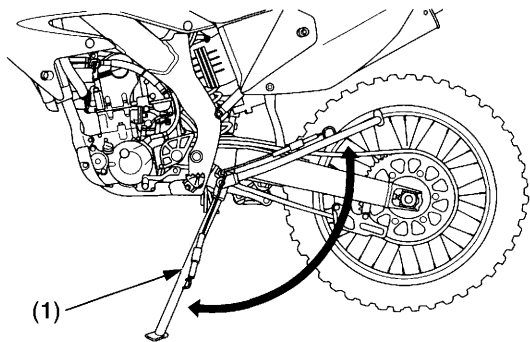


Refer to *Safety Precautions* on page 25.

1. Check the side stand spring (1) for damage and loss of tension.
2. Check the side stand assembly for freedom of movement.



(1) side stand spring

If the side stand is stiff or squeaky, clean the pivot area and lubricate the pivot bolt with grease.