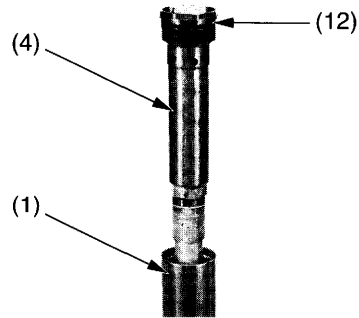


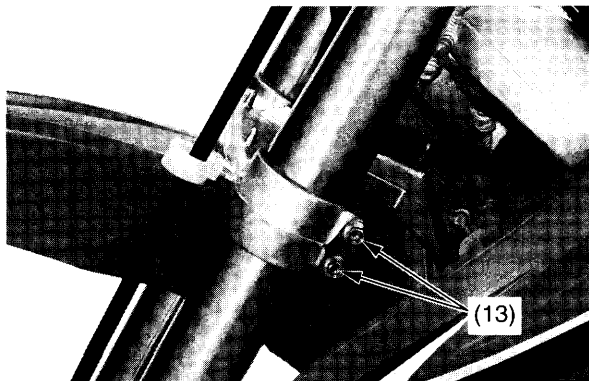
Front Suspension Adjustments

14. Check that the O-ring (12) on the fork damper assembly (4) is in good condition. Apply the recommended fork oil to the O-ring.
15. Pull up the outer tube/slider (1) slowly and install the fork damper assembly (4) into the outer tube.



(1) outer tube/slider
(4) fork damper assembly
(12) O-ring

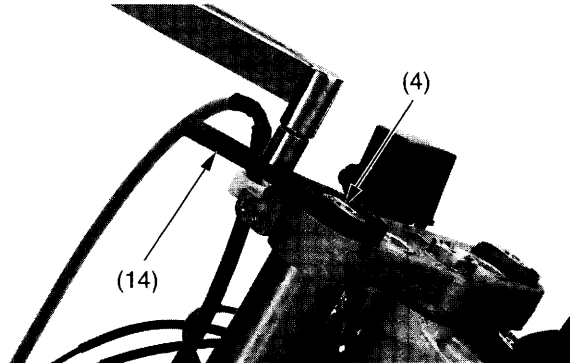
16. Insert both fork legs into the fork clamps.
Tighten the fork lower pinch bolts (13) to the specified torque:
15 lbf-ft (20 N·m, 2.0 kgf·m)



(13) lower pinch bolts

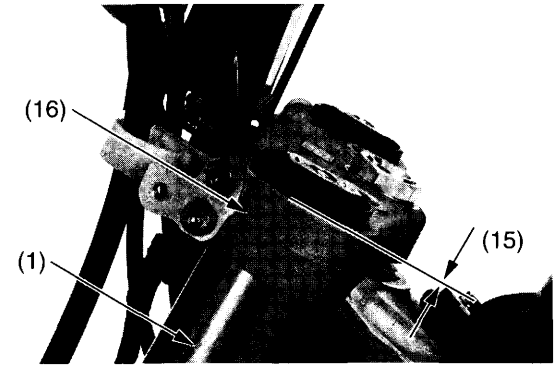
17. Tighten the fork damper assembly (4) to the specified torque using the lock nut wrench (14).
Actual:
25 lbf-ft (34 N·m, 3.5 kgf·m)
Torque wrench scale reading:
23 lbf-ft (31 N·m, 3.2 kgf·m), using a 20 in (50 cm) long torque wrench.

When using the lock nut wrench, use a 20 in (50 cm) long deflecting beam type torque wrench. The lock nut wrench increases the torque wrench's leverage, so the torque wrench reading will be less than the torque actually applied to the fork damper.



(4) fork damper assembly (14) lock nut wrench

18. For ease of releasing air pressure after the forks are installed, Loosen the lower pinch bolts and position the outer tubes so that the pressure release screws are in front of the rebound damping adjusters.
Align (15) the top surface of the upper fork clamp (16) with the outer tube/slider (1) upper surface as shown.

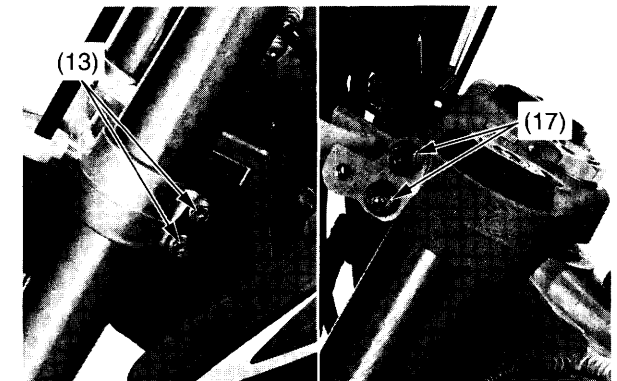


(1) outer tube/slider (16) upper fork clamp
(15) align

19. Tighten the fork lower pinch bolts (13) to the specified torque:
15 lbf-ft (20 N·m, 2.0 kgf·m)
20. Tighten the fork upper pinch bolts (17) to the specified torque:
16 lbf-ft (22 N·m, 2.2 kgf·m)

NOTICE

Over-tightening the pinch bolts can deform the outer tubes. Deformed outer tubes must be replaced.



(13) lower pinch bolts (17) upper pinch bolts

(cont'd)