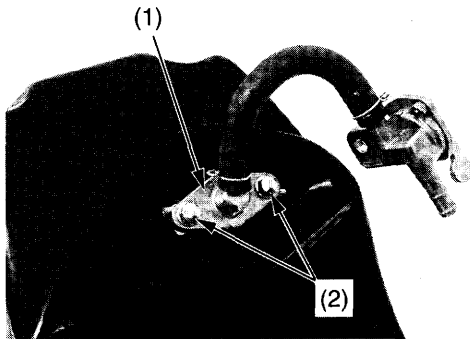


Fuel Filter

The fuel filter is mounted on the bottom left side of the fuel tank. Dirt accumulated in the filter will restrict the flow of the fuel to the carburetor. Therefore, the fuel filter should be serviced frequently.

To service the fuel filter:

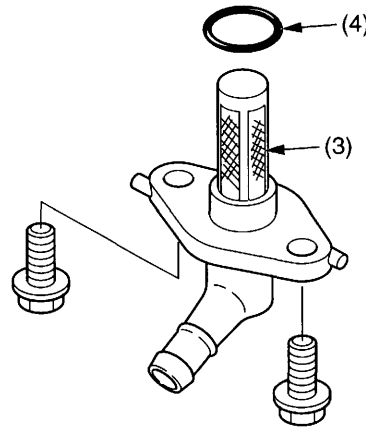
1. Remove the fuel tank (page 30).
2. Drain the fuel from the fuel tank into an approved petrol container. Disconnect the fuel valve and fuel line.
3. Remove the fuel joint (1) from the fuel tank by removing the bolts (2).



(1) fuel joint

(2) bolts

4. Wash the fuel filter (3) in high flash-point cleaning solvent.
5. Check that the O-ring (4) is in good condition.
6. Install the fuel joint in the fuel tank by tightening the bolts to the specified torque: 10 N·m (1.0 kgf·m, 7 lbf·ft)
Attach the fuel valve and fuel line.
7. Install the fuel tank (page 31).
Refill the fuel tank and turn the fuel valve to ON; check for fuel leaks.



(3) fuel filter

(4) O-ring