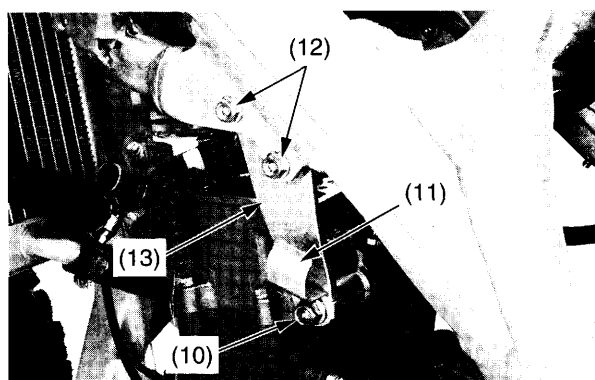
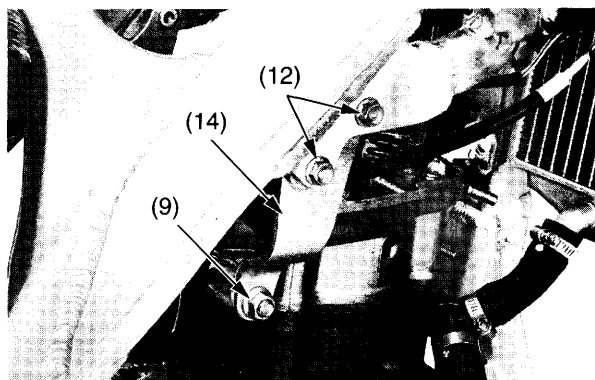


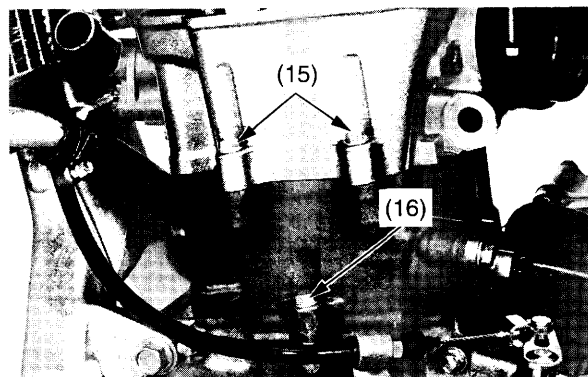
Piston/Piston Rings/Piston Pin

13. Remove the engine hanger nut (9), engine hanger bolt (10) and fuel hose guide (11). Remove the engine hanger plate bolts (12), left engine hanger plate (13) and right engine hanger plate (14).



(9) engine hanger nut
(10) engine hanger bolt
(11) fuel hose guide
(12) engine hanger plate bolts
(13) left engine hanger plate
(14) right engine hanger plate

14. Remove the cylinder head bolts (15).
15. Loosen the cylinder bolt (16).



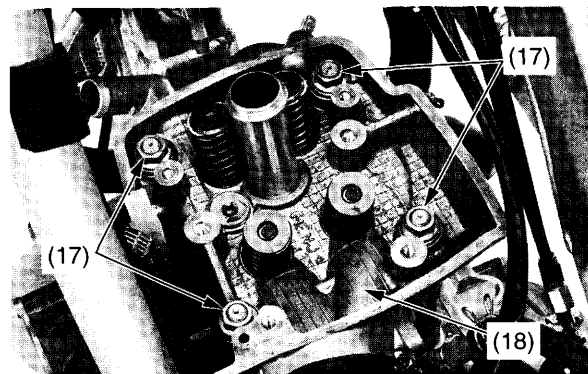
(15) cylinder head bolts
(16) cylinder bolt

16. Remove the cylinder head nuts and washers (17) and the cylinder head (18).

Loosen the nuts in a criss-cross pattern in two or three steps.

NOTICE

Do not let the nuts, washers and cam chain fall into the crankcase.

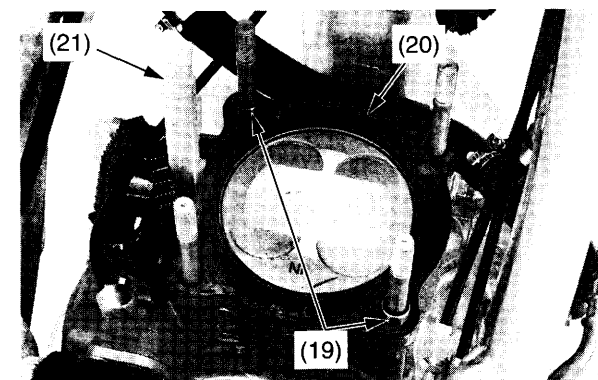


(17) cylinder head nuts and washers
(18) cylinder head

17. Remove the dowel pins (19), cylinder head gasket (20) and cam chain guide (21).

NOTICE

Do not let the dowel pins and cam chain fall into the crankcase.



(19) dowel pins
(20) cylinder head gasket
(21) cam chain guide