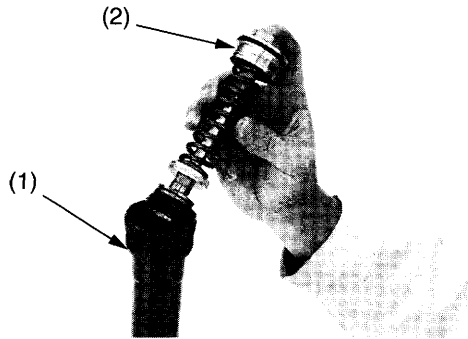


Front Suspension Adjustments

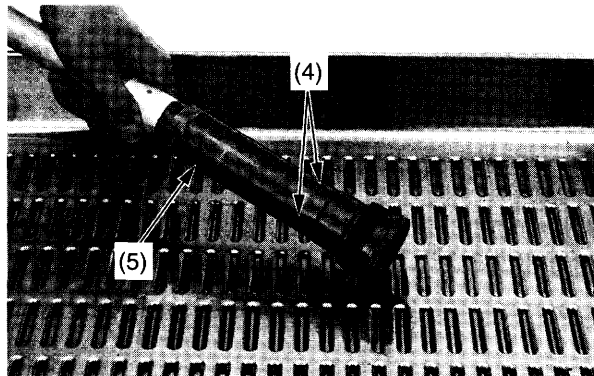
- Remove the fork cap assembly (2) from the fork damper (1).

Be careful not to damage the fork cap piston ring. Do not disassemble the fork cap assembly. Replace the fork cap as an assembly if it is damaged.



(1) fork damper (2) fork cap assembly

- Empty the fork oil from the oil holes (4) of the fork damper spring chamber (5) by pumping the damper rod several times.

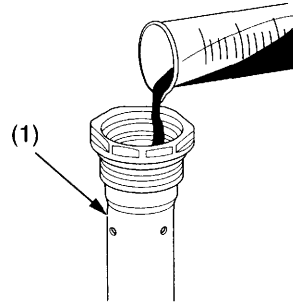


(4) oil holes (5) fork damper spring chamber

- Clean the fork cap and fork damper threads.

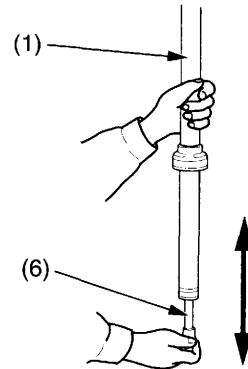
- Extend the fork damper piston rod to maximum. Pour the recommended fork oil into the fork damper (1).

Recommended Oil:
Honda ULTRA CUSHION OIL SPECIAL
5 W or equivalent
Recommended Amount:
187 cm³ (6.3 US oz, 6.6 Imp oz)



(1) fork damper

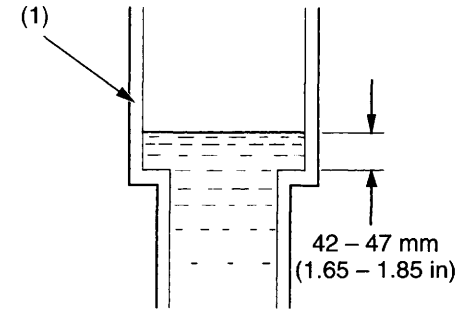
- Pump the fork damper piston rod (6) slowly several times to bleed the air from the fork damper (1).



(1) fork damper (6) fork damper piston rod

- Extend the fork damper piston rod to maximum. Adjust the oil level of the fork damper (1) as shown.

Oil Level: 42 – 47 mm (1.65 – 1.85 in)

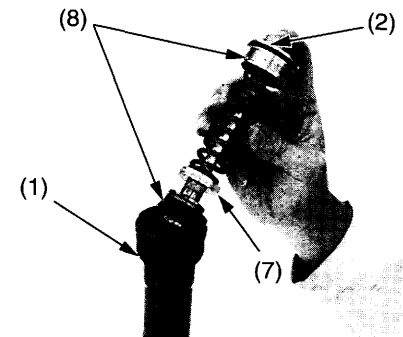


(1) fork damper

- Apply fork oil to fork cap piston ring (7) and new O-rings (8) on the fork cap assembly (2).

Extend the fork damper piston rod to maximum, holding it, install the fork cap assembly to the fork damper (1).

Be careful not to damage the fork cap piston ring. If it is difficult to install the fork cap assembly, the fork damper oil level might be higher than standard oil level. Inspect the fork damper oil level again.



(1) fork damper (7) fork cap piston ring
(2) fork cap assembly (8) O-rings

(cont'd)