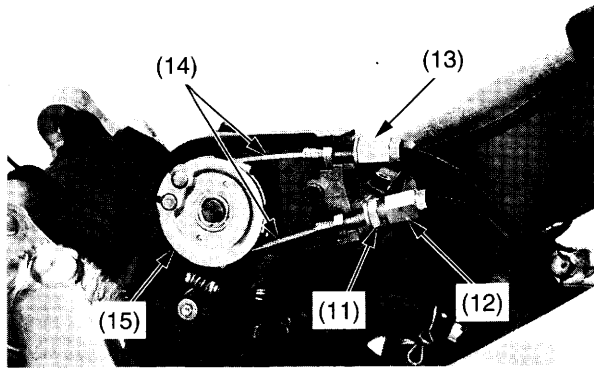


# Carburetor Adjustments & Tuning Tips

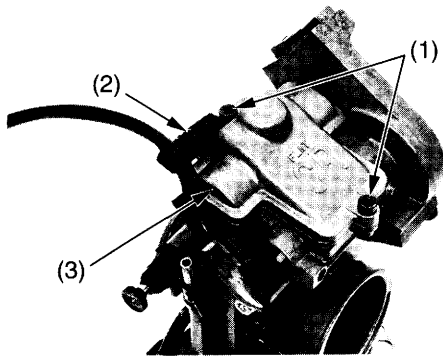
12. Loosen the throttle cable lock nut (11), adjuster (12), throttle cable bolt (13) and disconnect the throttle cables (14) from the throttle drum (15).



(11) throttle cable lock nut (14) throttle cables  
 (12) adjuster (15) throttle drum  
 (13) throttle cable bolt

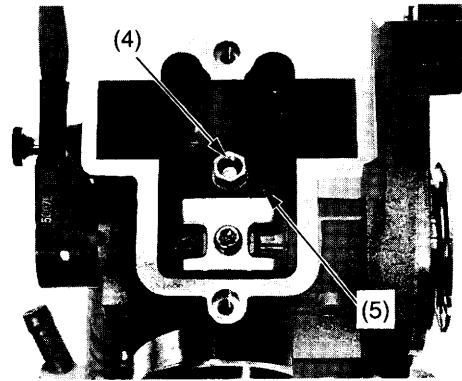
## Carburetor Disassembly

1. Remove the carburetor top cover bolts (1), clamp (2) and carburetor top cover (3).



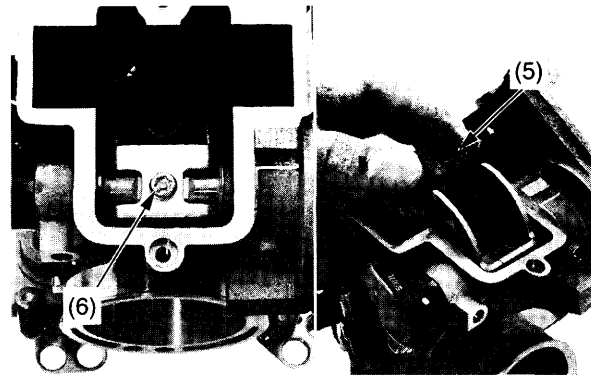
(1) carburetor top cover bolts  
 (2) clamp  
 (3) carburetor top cover

2. Remove the jet needle/holder assembly (4) from the throttle valve (5).



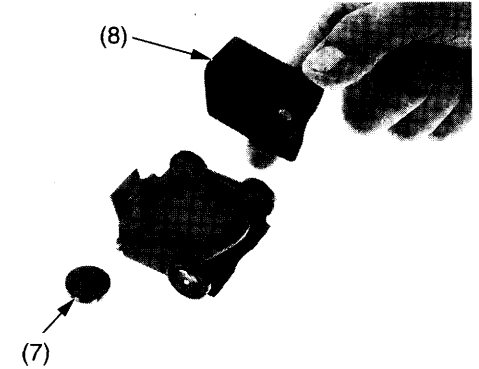
(4) jet needle/holder assembly  
 (5) throttle valve

3. Remove the link arm torx screw (6) and throttle valve (5). When installing the link arm torx screw, apply a locking agent to the link arm torx screw threads.



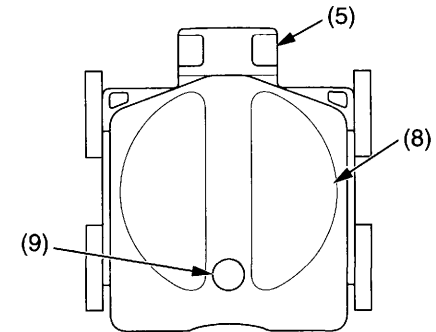
(5) throttle valve  
 (6) link arm torx screw

4. Remove the throttle valve roller (7) and floating valve (8).



(7) throttle valve roller  
 (8) floating valve

When installing the floating valve (8) onto the throttle valve (5) make sure the floating valve's flat side faces out and the hole (9) faces down.



(5) throttle valve  
 (8) floating valve  
 (9) hole