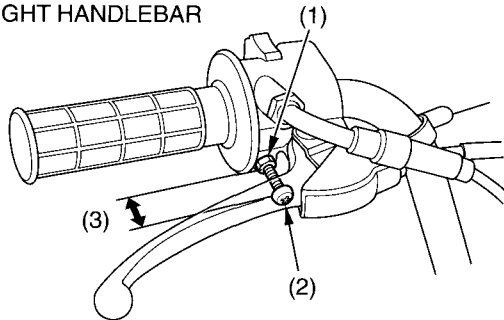


Throttle Limiter Adjustment

RIGHT HANDLEBAR



- (1) lock nut
- (2) throttle limiter screw
- (3) throttle limiter screw measurement

1. Loosen the lock nut (1).
2. Turn the throttle limiter screw (2) clockwise to reduce throttle grip movement or counterclockwise to increase throttle grip movement.

The throttle limiter screw measurement (3) is $\frac{13}{16}$ in (21 mm) when the throttle is fully open; less than $\frac{13}{16}$ in (21 mm) when the throttle opening (and maximum engine speed) is restricted.

3. Hold the screw in place and tighten the lock nut.

To prevent moisture or debris (dirt, sand, pebbles, sticks, etc.) from entering the throttle housing, do not remove the throttle limiter screw.

Moisture and debris may interfere with proper throttle operation.