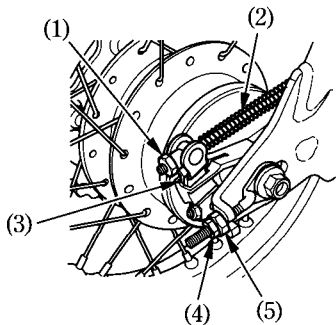


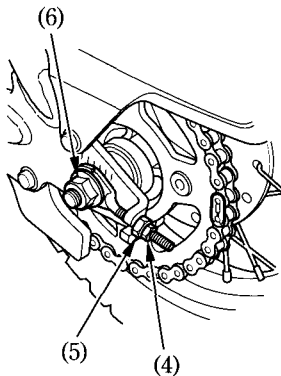
## Rear Wheel Removal

1. Raise the rear wheel off the ground by placing a support block under the engine.
2. Unscrew the rear brake adjuster (1).
3. Press and release the rear brake pedal and disconnect the brake rod (2) from the brake arm (3).
4. Loosen the lock nut (4) and adjusting nut (5) on the chain adjuster on both sides.



- |                    |                   |
|--------------------|-------------------|
| (1) Brake adjuster | (4) Lock nut      |
| (2) Brake rod      | (5) Adjusting nut |
| (3) Brake arm      |                   |

5. Unscrew the axle nut (6) and pull out the axle. Push the wheel forward and derail the drive chain from the rear sprocket. Remove the wheel.



- |              |
|--------------|
| (6) Axle nut |
|--------------|