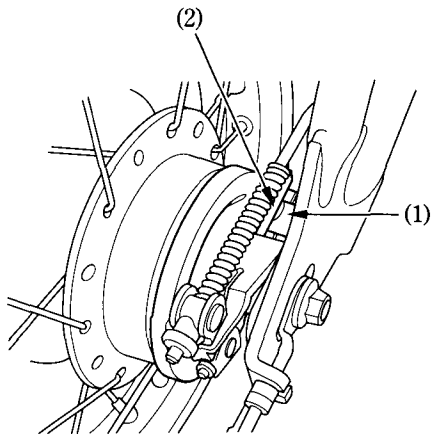


Installation:

1. Reverse the removal procedure. Make sure that the lug (1) on the swingarm is located in the slot (2) in the brake panel. Tighten the axle nut to:
46 N·m (4.8 kgf·m , 35 lbf·ft)
2. Adjust the drive chain (pages 69 – 70).
3. Adjust the brake (page 16).
4. Apply the brake several times and check for free wheel rotation after the brake pedal is released.

If a torque wrench was not used for installation, see your Honda dealer as soon as possible to verify proper assembly. Improper assembly may lead to loss of braking capacity.



(1) Lug

(2) Slot